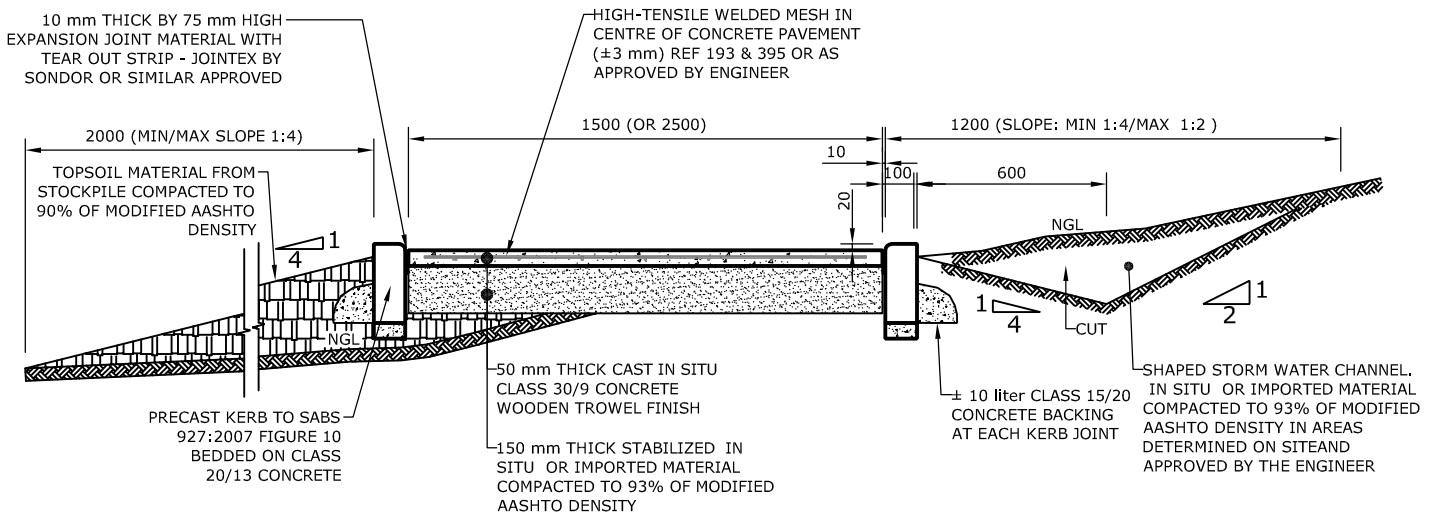
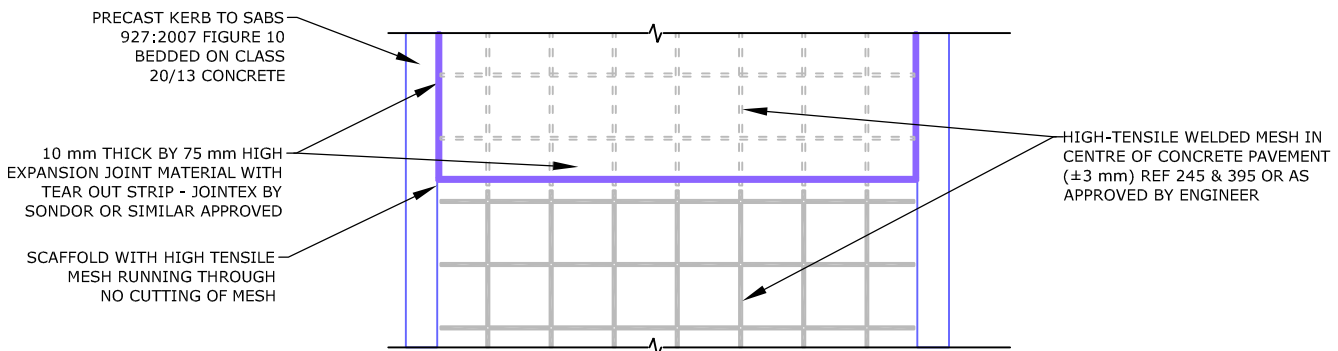


**TYPICAL CROSS SECTION OF REINFORCED CONCRETE PAVEMENT**



**TYPICAL CROSS SECTION OF ULTRA THIN REINFORCED CONCRETE PAVEMENT**



**CONSTRUCTION JOINT AT END OF DAYS WORK**